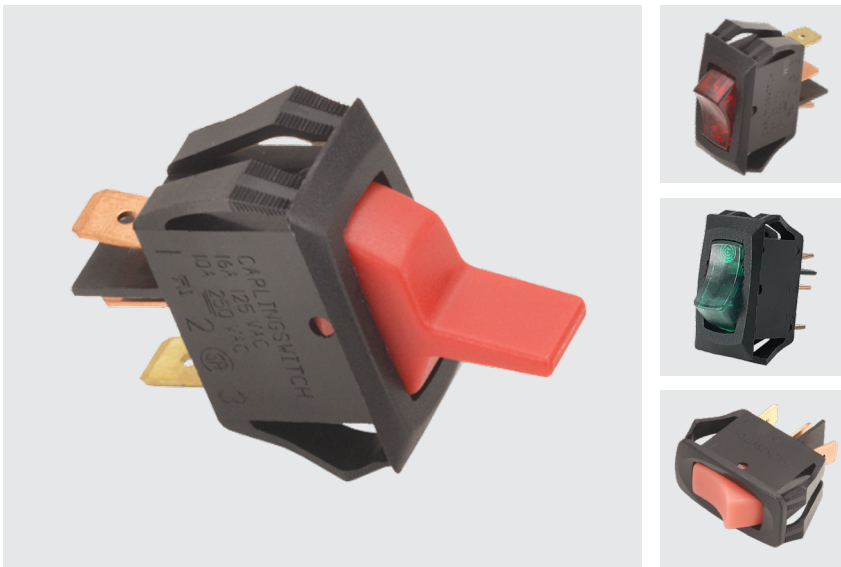


CURVETTE

LRA-Series

SINGLE POLE LIGHTED ROCKER & PADDLE SWITCHES

Since its introduction, the Curvette switch has become the barometer for versatility and performance in the miniature switch market. This lighted version features the very same self cleaning contacts, international approvals, along with a wide variety of circuits, ratings, and actuator options that make the Curvette the switch of choice for various applications.



Product Highlights:

- Clear or translucent style rockers
- Neon or Incandescent illumination
- Self-cleaning wiping style contacts
- UL, CSA and VDE approved

Typical Applications:

- HVAC
- Office Lighting
- Transportation
- Commercial Food
- Lawn & Garden
- Power Strip



Dielectric Strength

UL/CSA: 1000V-live to dead metal parts
 VDE: 4000V - live to dead metal parts;
 750V - across open contacts

Electrical Life

100,000 cycles

Operating Temperature

32°F to 185°F (0°C to 85°C)

LRA911 - R S - B / 250N

1
Base Part Number

2
Actuator
Style

3
Actuator
Color

4
Bezel
Color/Style

5
Lamp Voltage

1 BASE PART NUMBER: SERIES / CIRCUITRY / RATING ² / TERMINATION

125 neon lamp (use 125N in Selection 5 Lamp Voltage)

10A 250VAC; 16A 125VAC; 10(4)A 125VACu

OFF-NONE-ON	Solder Lugs	.250 Tabs	Wire Leads
	LRA210	LRA211	LRA215

250 neon lamp (select 250N in selection 5 Lamp Voltage)

15A 250 VAC; 10A 250VAC; 16A 125VAC; 10(4)A 250 T85

OFF-NONE-ON	Solder Lugs	.250 Tabs	
	LRA910	LRA911	LRA915

Incandescent lamp (select 006V-024V in selection 5 Lamp Voltage)

10A 30V

OFF-NONE-ON	Solder Lugs	.250 Tabs	Wire Leads
	LRA510	LRA511	LRA515

2 ACTUATOR STYLE

- P** Paddle
- R** Rocker translucent
- C** Rocker Clear

3 ACTUATOR COLOR

translucent

- A** Amber
- C** White
- P** Yellow
- S** Red
- W** Pale Red

clear

- A** Amber
- C** Clear
- G**¹ Green
- B**¹ Blue
- R** Red

4 BEZEL COLOR/STYLE

STANDARD

- B** Black (matte)
- W** White (matte)



OVAL

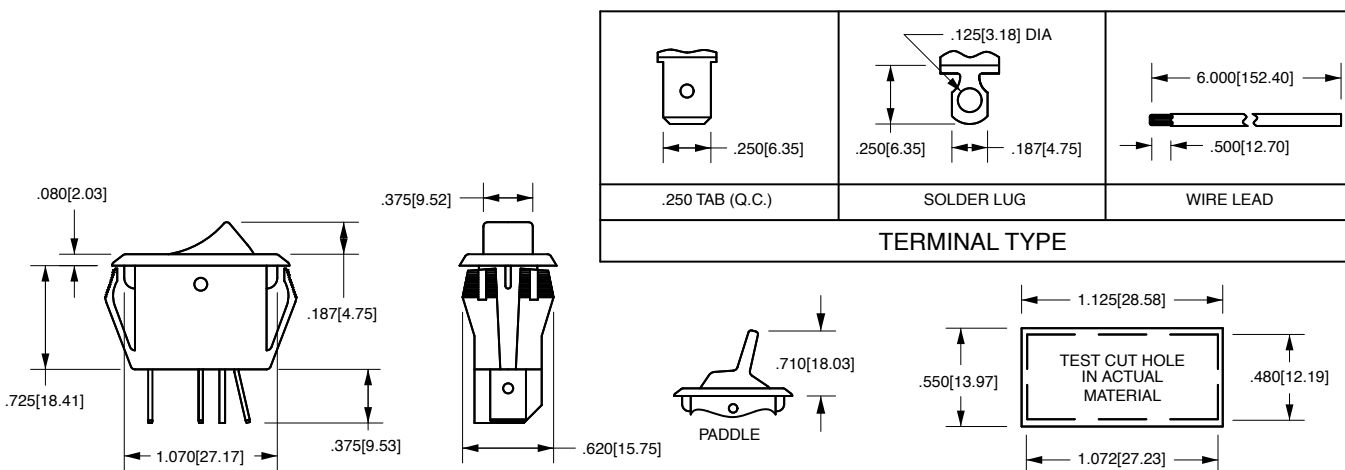
- 1** Black (gloss)
- 2** White (gloss)



5 LAMP VOLTAGE

- 006V** 6 volts incandescent
- 012V** 12 volts incandescent
- 018V** 18 volts incandescent
- 024V** 24 volts incandescent
- 125N**¹ 125 volts neon
- 250N**¹ 250 volts neon

Notes:
 LED illumination, PC terminals, independent lamps, and additional color options are available. Consult factory.
¹ Neon lamps not available with blue or green actuators.
² Consult factory for additional ratings.



MOUNTING HOLE
 Panel Thickness: .025 min. - .187 max.
 Specific cutout dimension range dependent on panel thickness and material.
 Consult factory.

*Manufacturer reserves the right to change product specification without prior notice.